

PCB. LAYOUT

- NOTES:
- MATERIAL:
 - HOUSING: HALOGEN FREE PLASTIC,UL94V-0.
 - CONTACT: COPPER ALLOY
 - CONTACT:
 - 50~100u" NICKEL UNDERPLATING OVERALL.
 - 120~180U" LEAD-FREE(PURE TIN) PLATING.
 - GOLD FLASH PLATING.
 - 120~180U" MATT TIN PLATING.
 - 15U" GOLD ON CONTACT, G/F ON SOLDER AREA
 - REFLOW SOLDER CAPABLE TO 260°C PER ACES SPEC.
 - SPEC. PLS. REFER TO PS-50274-XXXXX-XXX
 - PACKAGE PLS. REFER TO 86802-XXOX-TRP
 - LOCKING WINDOW: ONE PLACE FOR 2&3 CTKS. TWO PLACES FOR MORE THAN 4 CTKS.
 - PART NUMBER

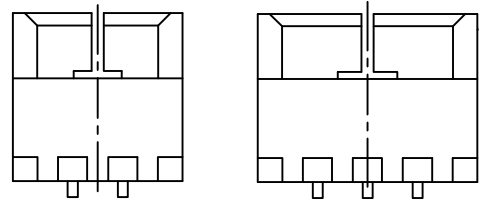
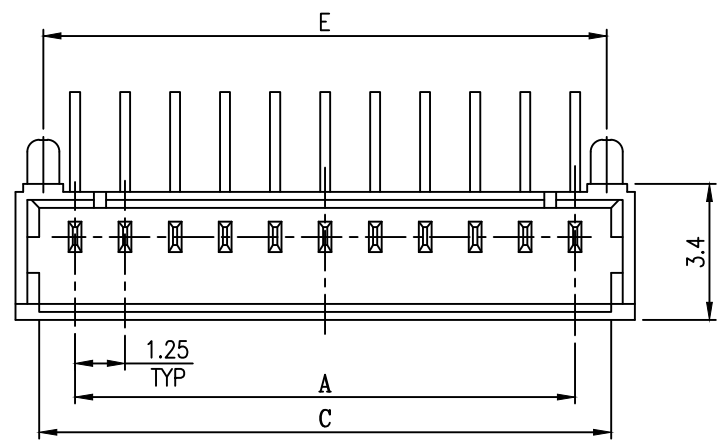
P/N LEGEND

50274-XXX X X-XXX

No Of Contact
0:Tape & Reel
1:Tube

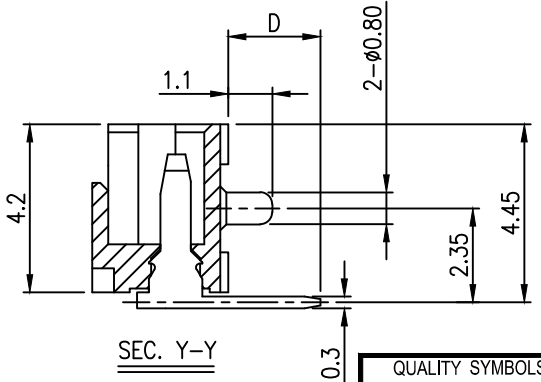
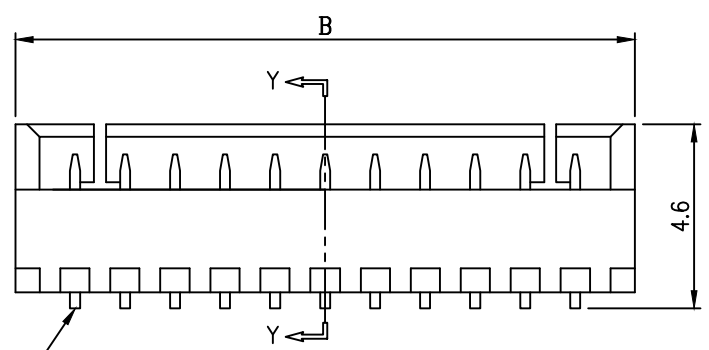
XXX	Boss	Color	DIM D
001	W/O Boss	Black	2.3mm
002	W/T Boss	Black	2.3mm
003	W/O Boss	Black	1.3mm

Plating
L:Lead Free(Pure Tin)
N:Lead Free(MATT TIN)
1:G/F (Lead Free)
C:15u" Gold on contact



2 PIN 3 PIN

LOCK CONFIGURATION



SEC. Y-Y

CKT	DIM A	DIM B	DIM C	DIM E
2	1.25	4.23	3.05	2.83
3	2.50	5.48	4.30	4.08
4	3.75	6.73	5.55	5.33
5	5.00	7.98	6.80	6.58
6	6.25	9.23	8.05	7.83
7	7.50	10.48	9.30	9.08
8	8.75	11.73	10.55	10.33
9	10.00	12.98	11.80	11.58
10	11.25	14.23	13.05	12.83
11	12.50	15.48	14.30	14.08
12	13.75	16.73	15.55	15.33
13	15.00	17.98	16.80	16.58
14	16.25	19.23	18.05	17.83
15	17.50	20.48	19.30	19.08

Circuit NO. 1

QUALITY SYMBOLS MAJOR CRITICAL	DRAWN BY	DATE	
	Zhang,hongjun	18/03/28	
GENERAL TOLERANCES (UNLESS SPECIFIED) X. ±0.5 .X ±0.25 .XX ±0.15 .XXX ±0.1 ANGLES ±2°	CHECKED BY	DATE	TITLE 1.25mm W-T-B WAFER R/A T/H TYPE I
	Lu, jingquan	18/03/28	
	APPROVED BY	DATE	SIZE A4
	hsieh,fu yu	18/03/28	
	UNITS		DWG NO. 50274-xxxxx-xxx
	mm		
	SCALE	SHEET NO.	REV
	1:1	1 OF 1	E
			PART NO.
			SEE NOTES